

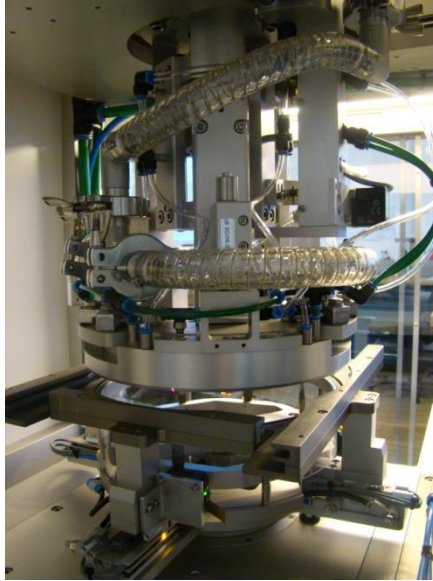
Machine building driven by passion

## Fully automatic inline wafer retaping system UKA300



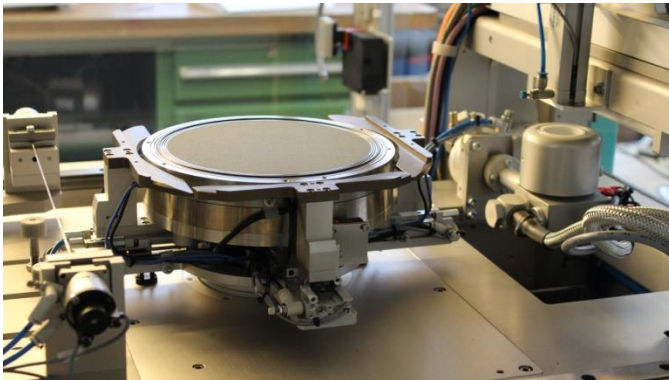
Only Geringer customers have this advantage: so take advantage of our competence in machine building to put your special requirements into practice.

## Fully automatic inline wafer retaping system UKA300

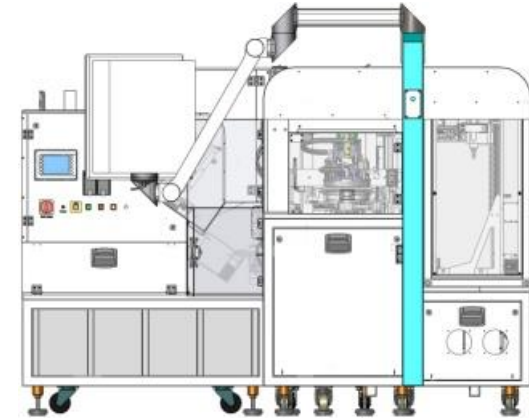
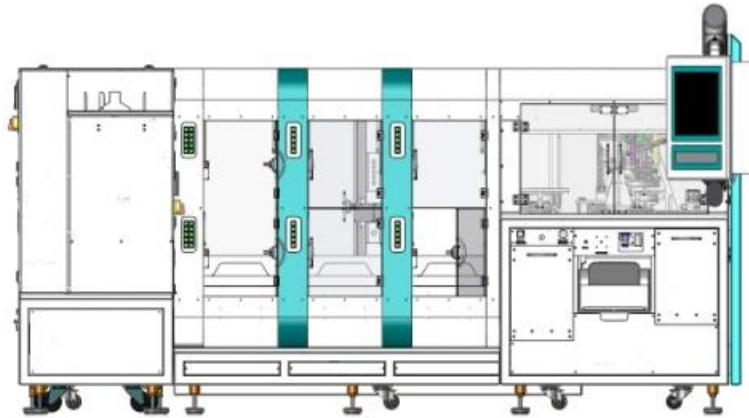


The UKA 300 is a flexible, fully automatic in-line wafer retaping system for wafers up to 6" in diameter.

- Automatic frame handling system
- Magazing system
- Frames out of magazines or optional Framemounter
- Two frame sizes automatically processable (8" frames and 10" frames)
- Automatic foil cutting out of frame or frame with grip ring
- Automatic wafer transport to processtation
- Laminating bubblefree by vacuum process
- Automatic waste foil removal
- Frame barcode scanning
- Different kind of foils processable



## Fully automatic inline wafer retaping system UKA300



### Technical Data

Wafer frames	Two frame sizes automatically processable (8" frames and 10" frames)
Applicable target films	SWT10+, SWT20+, G965, UV-670D, UV-410T, NWS-Y12MS, Hitachi 1503 from roll
Mounted wafer frame source	industry standard wafer cassettes, automatic change over
Frame/Wafer identification	barcode reader for wafer frame (smart label optional)
Wafer sizes	2 inches up to 6 inches in diameter
Lamination method	vacuum
Remounted wafer output	on frame in industry standard wafer cassettes, automatic change over
Positioning accuracy	X/Y direction: better than $\pm 1\text{mm}$ ; rotation: better than $\pm 1^\circ$
Chip loss	$\leq 0.5\%$
Chip offset	$\leq 5\%$ in relation to edge length
Breakage rate	$\leq 1\%$
Bubbles	$< 1\%$ between wafer and film
Capacity	up to 50 wafers/hour
Dimensions, weight (approx.)	2,434mm x 3,520mm x 1,670mm (width x length x height) excluding jib-arm and operation panel, 2,500kg

## Recommended Tabletop equipment for manual processes



Wafer delamination system



Wafer expanding system



Wafer laminating system

Machine building driven by passion



Thank you